



- Analogue voltage or current output
- 1 axis operation, 0-360 deg
- 2 axes operation,  $\pm 10$  /  $\pm 30$  /  $\pm 60$  deg
- Measurement accuracy  $\pm 0.2$  deg
- Zero setting input
- Robust metal housing with IP67 protection



IXA1 • IXA2

### ENVIRONMENTAL SPECIFICATIONS

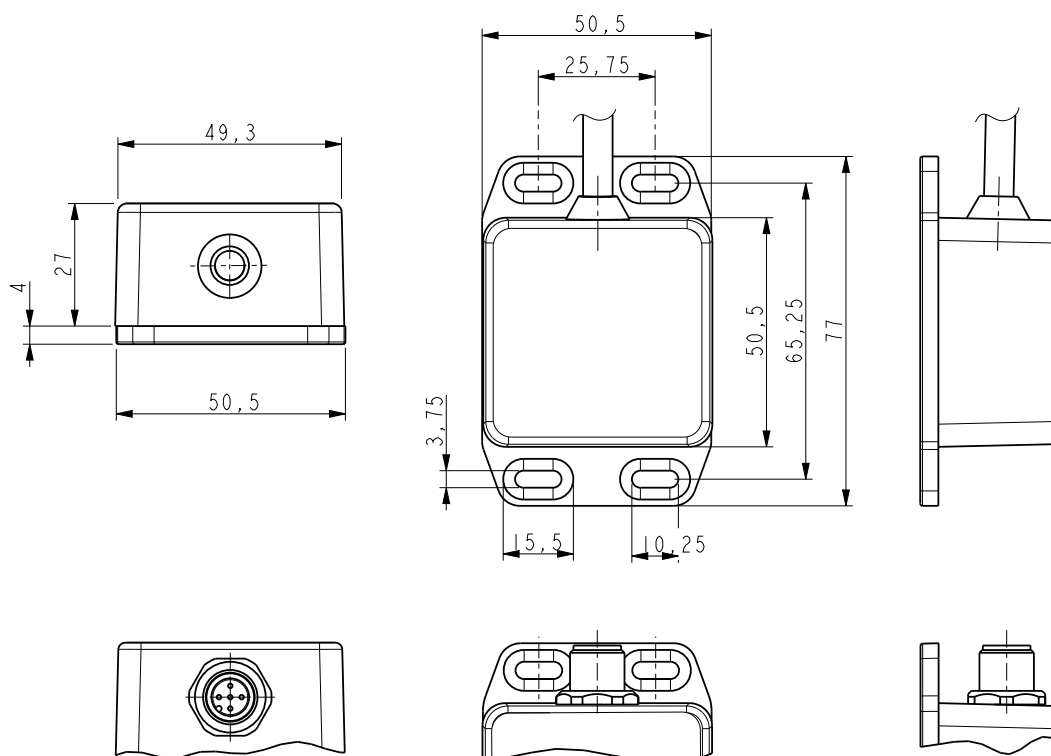
|                              |  |
|------------------------------|--|
| Shock:                       | 300 g, 11 ms acc. to EN60068-2-27  |
| Vibrations:                  | 8,2-500 Hz, 40 m/s <sup>2</sup> acc. to EN60068-2-6<br>10-500 Hz, 3 g acc. to EN60068-2-64 |
| Protection:                  | IP67   |
| Operating temperature range: | -40°C +85°C (-40°F +185°F)   |
| Storage temperature range:   | -40°C +85°C (-40°F +185°F)   |

### MECHANICAL SPECIFICATIONS

|                         |                                  |
|-------------------------|----------------------------------|
| Dimensions:             | see drawing                      |
| Housing material:       | die cast aluminium alloy         |
| Electrical connections: | cable 1 m                        |
| Options:                | additional cable, M12 5 pin plug |

### ELECTRICAL SPECIFICATIONS

|                    |   |
|--------------------|---|
| Resolution:        | 0,05% of measurement range  |
| Accuracy:          | typ. $\pm 0,2$ deg (max. $\pm 0,5$ deg)<br><i>only up to <math>\pm 30^\circ</math> for 2 axes</i> |
| Temperature drift: | $\pm 0,008$ deg/°C  |
| Measurement range: | IXA1: 0-360 deg<br>IXA2: $\pm 10$ deg, $\pm 30$ deg, $\pm 60$ deg                                 |
| Output circuit:    | 0,5 ÷ 4,5V, 4 ÷ 20mA  |
| Power supply:      | +7Vdc +30Vdc  |
| Power consumption: | 30 mA max.  |
| Protection:        | against inversion of polarity   |
| EMC:               | acc. to EN 61000-6-2, EN 61000-6-3  |



IXA1 • IXA2

Order code - 1 axis version

|      |   |          |   |          |   |         |   |            |
|------|---|----------|---|----------|---|---------|---|------------|
| IXA1 | - | XXX<br>a | - | XXX<br>b | - | XX<br>c | - | /Sxxx<br>d |
|------|---|----------|---|----------|---|---------|---|------------|

|   |   |   |                         |
|---|---|---|-------------------------|
| <p>a OUTPUT</p> <p>AV1 = 0,5-4,5V</p> <p>AI1 = 4-20mA</p> | <p>b MEASURING RANGE</p> <p>360 = 360 deg</p> | <p>c CONNECTION</p> <p>L1 = cable 1 m (standard)</p> <p>Lx = cable x m (length on request)</p> <p>M = M12 5 pin connector</p> | <p>d CUSTOM VERSION</p> |
|---|---|---|-------------------------|

Order code - 2 axes version

|      |   |          |   |          |   |         |   |            |
|------|---|----------|---|----------|---|---------|---|------------|
| IXA2 | - | XXX<br>a | - | XXX<br>b | - | XX<br>c | - | /Sxxx<br>d |
|------|---|----------|---|----------|---|---------|---|------------|

|   |  |   |                         |
|---|--|---|-------------------------|
| <p>a OUTPUT</p> <p>AV1 = 0,5-4,5V</p> <p>AI1 = 4-20mA</p> | <p>b MEASURING RANGE</p> <p>10 = ±10 deg</p> <p>30 = ±30 deg</p> <p>60 = ±60 deg</p> | <p>c CONNECTION</p> <p>L1 = cable 1 m (standard)</p> <p>Lx = cable x m (length on request)</p> <p>M = M12 5 pin connector</p> | <p>d CUSTOM VERSION</p> |
|---|--|---|-------------------------|