



- Redundant inclinometer, double sensor & output circuit
- Analogue voltage or current output
- 1 axis operation, 0-360 deg
- 2 axes operation, ± 10 / ± 30 / ± 60 deg
- Measurement accuracy ± 0.2 deg
- Robust metal housing with IP67 protection



IXA1R • IXA2R

ENVIRONMENTAL SPECIFICATIONS

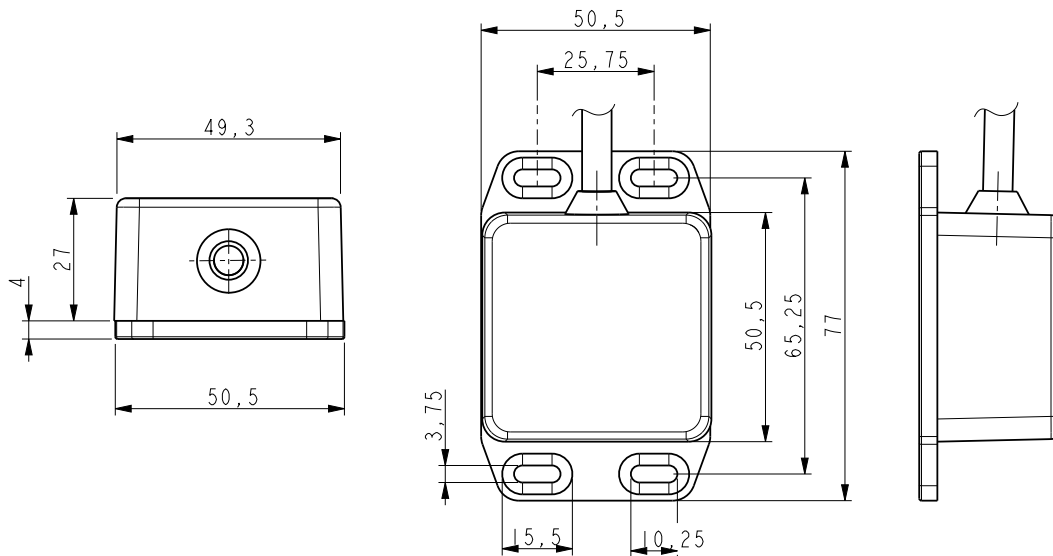
Shock:	300 g, 11 ms acc. to EN60068-2-27
Vibrations:	8,2-500 Hz, 40 m/s ² acc. to EN60068-2-6 10-500 Hz, 3 g acc. to EN60068-2-64
Protection:	IP67
Operating temperature range:	-40°C +85°C (-40°F +185°F)
Storage temperature range:	-40°C +85°C (-40°F +185°F)

MECHANICAL SPECIFICATIONS

Dimensions:	see drawing
Housing material:	die cast aluminium alloy
Electrical connections:	single 12-wire cable, 1 m
Options:	additional cable

ELECTRICAL SPECIFICATIONS

Resolution:	0,05% of measurement range
Accuracy:	typ. $\pm 0,2$ deg (max. $\pm 0,5$ deg) <i>only up to $\pm 30^\circ$ for 2 axes</i>
MTTF values for each output channel:	IXA1R = 258 years IXA2R = 184 years
Temperature drift:	$\pm 0,008$ deg/°C
Measurement range:	IXA1R: 0-360 deg IXA2R: ± 10 deg, ± 30 deg, ± 60 deg
Output circuit:	0,5 ÷ 4,5V, 4 ÷ 20mA
Power supply:	+7Vdc +30Vdc
Power consumption:	30 mA max.
Protection:	against inversion of polarity
EMC:	acc. to EN 61000-6-2, EN 61000-6-3



IXA1R • IXA2R

Order code - 1 axis version

IXA1R	-	XXX a	-	XXX b	-	XX c	-	/Sxxx d
-------	---	----------	---	----------	---	---------	---	------------

a OUTPUT
AV1 = 0,5-4,5V
AI1 = 4-20mA

b MEASURING RANGE
360 = 360 deg

c CONNECTION
L1 = cable 1 m (standard)
Lx = cable x m (length on request)

d CUSTOM VERSION

Order code - 2 axes version

IXA2R	-	XXX a	-	XXX b	-	XX c	-	/Sxxx d
-------	---	----------	---	----------	---	---------	---	------------

a OUTPUT
AV1 = 0,5-4,5V
AI1 = 4-20mA

b MEASURING RANGE
10 = ±10 deg
30 = ±30 deg
60 = ±60 deg

c CONNECTION
L1 = cable 1 m (standard)
Lx = cable x m (length on request)

d CUSTOM VERSION